



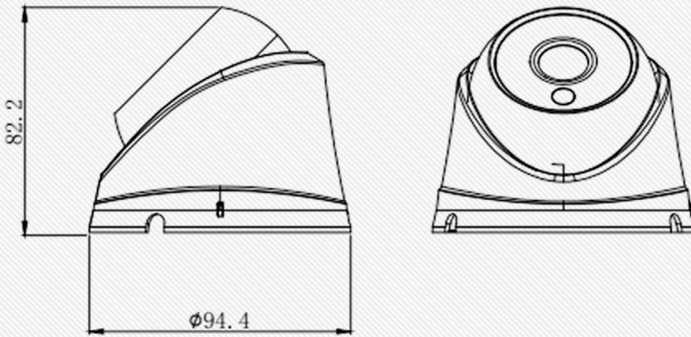
ROVER 1/2.8" IP DOME
CAMERA, 2.0MP, AUDIO IN: 1CH
RND513GNJ



FEATURES

- Up to 2 Megapixel (1920 x 1080) resolution;
- Day/Night(Auto ICR);
- 24 IR LED, IR Range of 20m-30m;
- Supports DWDR, 3D DNR;
- H.265+/ H.265/ H.264 high profile;
- Mobile phone remote monitoring (iOS, Android);
- Multi browser access (IE, Chrome);
- Supports WEB, CMS, VMS, Cloud services;
- Supports ONVIF protocol;
- Supports PoE (IEEE 802.3af);
- Ingress Protection Level: IP67;

DIMENSION



SPECIFICATIONS

MODEL	RND513GNJ
CAMERA	
Sensor	1/2.8" Progressive Scan CMOS
Minimum Illumination	Color:0.01Lux @(F1.2,AGC ON); 0 Lux with IR B/W: 0.001 Lux @ (F1.2,AGC ON),0 Lux with IR
Shutter Time	Auto Manual, 1/50(1/60)s to 1/10,000 s
Lens	2.8mm @F1.8
Lens Mount	M12
Day & Night Mode	IR cut filter with auto switch
IMAGE	
Max. Image Resolution	1920 x1080
Frame Rate	1080P@30fps, 720P@30fps
Settings	Saturation, Brightness and Contrast are Adjustable through IE browser or Software.
COMPRESSION	
Video Compression	H.265+/H.265/ H.264 High Profile
Bit Rate	0.1Mbps~8Mbps
Audio Compression	G.711a
NETWORK	
Alarm	Motion Detection, Video Loss, Video Block, etc.
Protocol	TCP/IP, HTTP, DHCP, DNS, DDNS, PPPoE, SMTP, NTP,
Features	Anti-flicker, Dual-stream, Heartbeat, Password Protection
INTERFACE	
Ethernet	1*10/100Mbps Ethernet port, RJ45 port
Audio I/O	1/0 (RCA)
GENERAL	
Temperature	-10°C~+60°C
Humidity	10%-90% RH
Power supply	DC12V±10%, PoE (IEEE 802.3af)
IR range	24 IR LED 20-30 meters
Power Consumption	4W MAX
Material	ABS plastic+Metal
Ingress Protection	IP67
Weight	Around 580g
Dimension	Φ94.4mm x 82.2mm

Disclaimer: Design & specifications subject to change without prior notice.