



ROVER 1/2.5" MINI IP PTZ DOME
CAMERA, 5.0MP

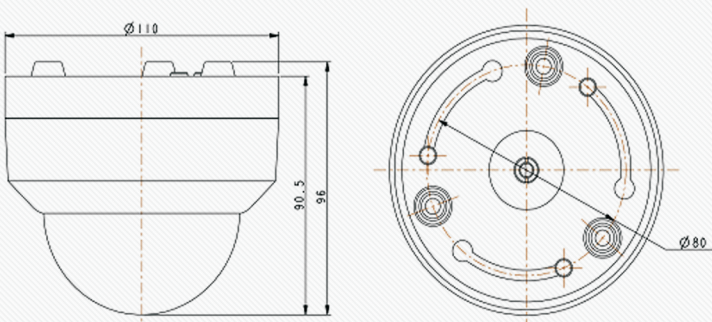
RNP9J2GBP



FEATURES

- Up to 5 Megapixel (2592 x 1944) resolution;
- Day / Night functionality, Up to 15m IR distance;
- Supports H.265, H.264, MJPEG;
- ONVIF conformance;
- Supports PoE power supply;
- Supports lightning and surge protection;
- Ingress Protection Level: IP66;
- Supports auto-flip;

DIMENSION



SPECIFICATIONS

MODEL	RNP9J2GBP
CAMERA	
Image Sensor	1/2.5", 5MP, Progressive Scan, CMOS
Minimum illumination	Color: 0.1 Lux @ F1.2, 0 Lux with IR
Electronic Shutter	Auto/Manual shutter time (1/5 ~ 1/20000s)
Day-Night Mode	IR-cut filter with auto switch (ICR)
Optical Zoom	3.5mm ~ 10.5mm; 3x
Pan Angle	106.6° ~ 51.8°
IR Distance	15m
Pan Speed	0° ~ 25°/s
Tilt Range	0° ~ 90°
Tilt Speed	0° ~ 20°/s
Proportional Zoom	Adjust rotation speed automatically according to zoom multiples
Preset	16
Park Function	Preset scan can invoke automatically after a defined time of inactivity
Max Image Size	2592 x 1944 @30fps
Output Bit Rate	32Kbps ~ 16Mbps
Video Compression	H.265/H.264/MJPEG
Network Protocol	TCP/IP, HTTP, DHCP, DNS, DDNS, RTP, RTSP, PPPoE, SMTP, NTP, UPnP
Network Interface	1 RJ45 10M/100M Base-TX ethernet
Browser	Support IE7, IE8, IE9, Chrome 8+, Firefox 3.5+, Safari 5+
Power Consumption	DC 12V2A, 10W(max), PoE (IEEE802.3af)
Working Temperature	-20°C ~ +60°C
Working Humidity	≤90%RH (non-condensing)
Protection Grade	TVS3000V lightning protection, surge protection and voltage transient protection, weather proof (for outdoor): IP66

Disclaimer: Design & specifications are subject to change without prior notice.