



ENDURA ANALOG HD PASSIVE TRANSMITTER + RECEIVER, HD VIDEO+ CAMERA POWER, BNC AND MALE/FEMALE DC PLUG

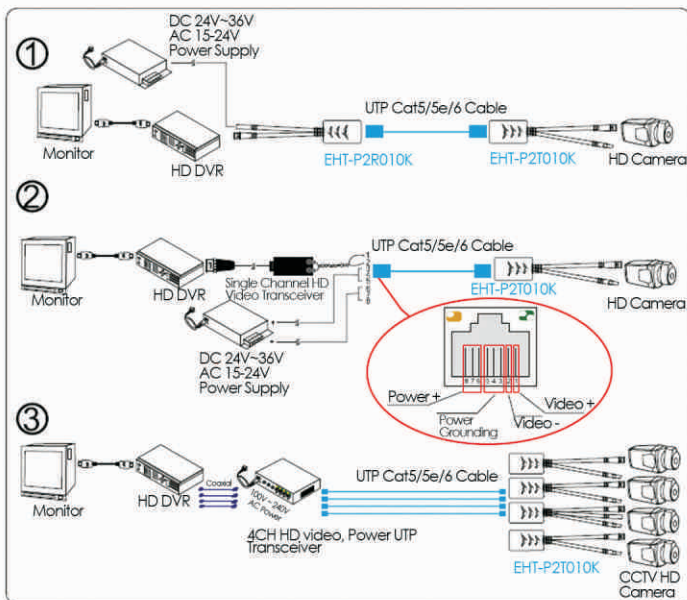
EHT-P2P010K (PAIR)
EHT-P2R010K (RECEIVER)
EHT-P2T010K (TRANSMITTER)



FEATURES

- Input Voltage: 24-36V DC; 15-24V AC; Output max 12V 10W (Input Voltage=36V);
- Transmitting 1 CH stable 12V DC power to camera max to 300M, simplified project wiring;
- Input/Output isolated power voltage up to 1000V;
- HD video transmission distance:
 HDCVI 720P : 400M ; 1080P : 200M;
 HDTVI 720P / 1080P : 200M;
 AHD 720P : 300M;
- Power efficiency up to 80%;
- RJ-45 plug for easy installation;
- Safety: anti-interference, super surge protection, anti-static, transient protection;
- Outer Design: with extended coaxial cable, easy to install with DVR, RJ45,BNC,DC;

TYPICAL APPLICATION



SPECIFICATIONS

MODEL	EHT-P2P010K/EHT-P2R010K/ EHT-P2T010K			
PROPERTIES				
Transmission Signal	1 Channel			
HD Video Transmission Distance	AHD: 720P:300M ; 1080P:200M			
	HDTVI: 720/1080P: 200M			
	HDCVI: 720P:400M ; 1080P:200M			
Power Transmission Signal	Input Voltage	DC 24V		DC 36V
	Distance	0-100M	100-200M	200-300M 0-300M
	Output (max)	DC 12V 10W	DC 12V 6W	DC 12V 3W/DC 12V 10W
VIDEO TRANSMISSION (PROPERTIES AND PORT)				
Category Type	UTP CAT5/5E/6			
Coaxial Video Connector	BNC-M			
Twisted Pair Video Port	RJ-45			
Compatible Format	HDCVI/AHD/HDTVI			
Resolution	720P/1080P			
Network Bandwidth	0-65M			
Anti-Interference	>60db			
PROTECTION				
ESD:	1a contact discharge electricity level 3			
	1b air discharge electricity level 3 Per: IEC61000-4-2			
Coaxial Cable Connector	2KV(common-code) Per: IEC1000-4-5			
UTP Cable Connector	2KV(different-code), 4KV(common-code), Per: IEC1000-4-5			
IMPEDANCE				
BNC Male	75 ohms			
UTP Cable	100 ohms			
PHYSICAL PROPERTIES				
Shell	ABS			
Color	Black			
STABILITY				
MTBF	>10000H			
ENVIRONMENTAL				
Operating Temperature	-10-55°C			
Storage Temperature	-20-70-°C			
Humidity	0-95% (non-condensing)			

* Design & specifications subject to change without prior notice.