



ENDURA ANALOG HD PASSIVE POWER AND VIDEO RECEIVER AND 36VDC POWER SERVER HUB 4/8 CHANNEL (720P/1080P, POWER IN 100-240 AC POWER OUT 36V 150W, BUILT IN TVS FOR SURGE PROTECTION)

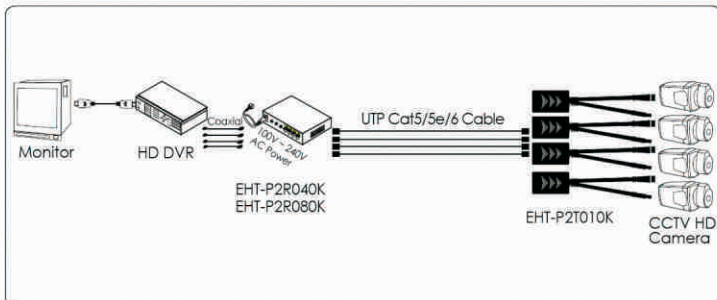
EHT-P2R040K
EHT-P2R080K



FEATURES

- Receive 4/8 channels HD video and provide power supply;
- Compatible with HDCVI/HDTVI/AHD;
- Output DC 36V 100W/150W/320W power supply;
- Color HD video transmission distance (passive to passive);
HDCVI 720P : 400m / 1080P : 250m;
HDTVI 720P / 1080P : 200m;
AHD 720P : 300m / 1080P : 200m;
- Power supply transmission distance up to 300m, providing max. DC 36V 24W for each channel;
- Power LED, Overload Protection LED;
- Built-in fan for thermal dissipation;
- Plug and Play, simple installation;
- Super surge protection and interference rejection;

TYPICAL APPLICATION



SPECIFICATIONS

MODEL	EHT-P2R040K	EHT-P2R080K
FUNCTION		
Channels	4 Channel	8 Channel
HD Video Transmission Distance	HDCVI 720P : 400m / 1080P : 250m; HDTVI 720P / 1080P : 200m; AHD 720P : 300m / 1080P : 200m;	
Power Transmission Distance	300m (Max DC 36V 24W for each channel)	
VIDEO PROPERTIES		
Video Connector	BNC-M	
UTP Cable Connector	RJ45	
Compatible with	HDCVI/HDTVI/AHD	
Signal Transmission Band	0-65MHz	
Interference Rejection	>600dB	
Surge Protection	2KV 10/700us Per IEC61000-4-5	
PROTECTION		
ESD	Contact Discharge: 6000V Air Discharge: 8000V IEC61000-4-2 1995	
RELIABILITY		
MTBF	> 20000h	
PHYSICAL PROPERTIES		
Size (L*W*H)	280x180x66.8mm	
Outer Shell Material	Iron Metal	
Color	Black	
N.W	2.1 kg	2.3 kg
ENVIRONMENTAL		
Operating Temperature	0°C-55°C	
Storage Temperature	-20°C-88°C	
Relative Humidity	0%-95% (non-condensing)	

* Design & specifications subject to change without prior notice.