



SINGLE CHANNEL HD POWER TRANSCEIVER OVER COAX

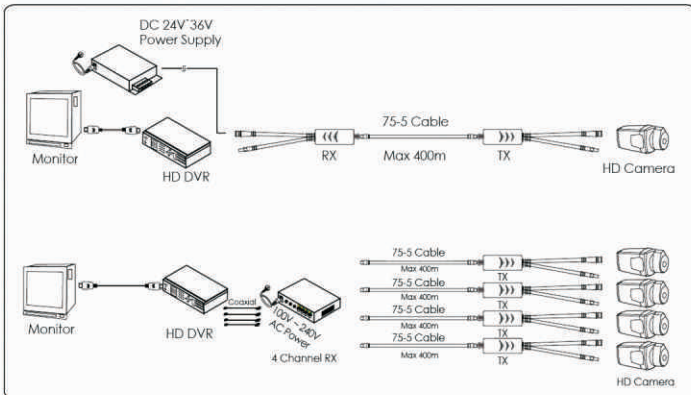
EHC-A2P010B



FEATURES

- Compatible with HDCVI/HDTVI/AHD/CVBS;
- Input Voltage: DC24-36V, output power max to 12VDC, 12W;
- Transmit instant video, no delay;
- Long Transmission : 400m;
- 1 cable for power & video transmission, no need to lay AC line and install power adapter to camera, reducing material cost;
- Built-in surge and transient protection, super interference rejection;
- Outer Shell: with extend coaxial cable, easy to install with DVR, RG59, BNC;

TYPICAL APPLICATION



SPECIFICATIONS

MODEL	EHC-A2P010B				
PROPERTIES					
Transmission Signal	1 Channel HD Video				
HD Video Transmission Distance	720P/1080P : 400m(Max)				
Power Transmission Distance	Input Voltage	DC 24V			DC 36V
	Distance (75-5)	0-100M	100-300M	300-400M	0-400M
	Output (max)	DC 12V 6W	DC 12V 3.5W	DC 12V 3W	DC 12V 7W
VIDEO TRANSMISSION PROPERTIES AND PORT					
Category Type	Coax 75-5				
Coaxial Video Connector	BNC-M				
Connection Way	BNC				
Compatible Format	HDCVI/HDTVI/AHD/CVBS				
Resolution	720P/1080P				
Anti-Interference	>60db				
PROTECTION					
ESD	1a contact discharge electricity level 3 1b air discharge electricity level 3 Per: IEC61000-4-2				
Coaxial Cable Connector	2KV(common-code) Per:IEC1000-4-5				
UTP Cable Connector	2KV(different-code), 4KV(common-code), Per:IEC1000-4-5				
IMPEDANCE					
Coax	75 ohms				
PHYSICAL PROPERTIES					
Dimension (L*W*H)	78x29x22mm				
Shell	ABS				
Color	Black				
Gross Weight	153g				
STABILITY					
MTBF	>10000H				
ENVIRONMENTAL					
Operating Temperature	-10-55°C				
Storage Temperature	-20-70°C				
Humidity	0-95% (non-condensing)				

* Design & specifications subject to change without prior notice.