



HDMI EXTENDER, 1 HDMI INPUT & OUTPUT, SUPPORT 1080P @60HZ, POWERED BY 5V DC, 150M WITH CAT5E/6 CABLE, SUPPORT ONE TO MANY APPLICATION WITH ETHERNET SWITCH.

**EDTA1H0115IP**  
**EDTA1H0115RX** (RECEIVER ONLY)  
**EDTA1H0115TX** (TRANSMITTER ONLY)

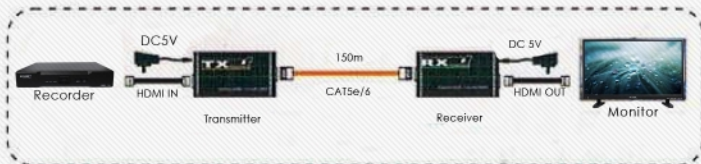


## GENERAL DESCRIPTION

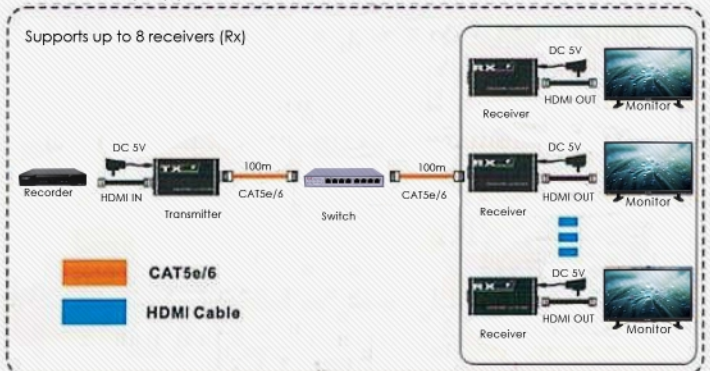
- Transmits HDMI audio and video signals up to 150m over a single CAT5e/6 cable;
- Supports video resolution up to 1920 x 1080@60Hz;
- Supports IR signal transmission;
- Supports over TCP/IP, one to many application with Ethernet switch;
- Compliance with HDMI 1.3 and HDCP 1.2 standard;
- High compatibility, can auto-match source and display device;
- Built-in automatic adjustment systems, make the image smooth, clear and stable;
- Built-in ESD protection system;
- Simple to install. plug and play;

## CONNECTION DIAGRAM

One to One Application



One to Many Application



## SPECIFICATIONS

MODEL	EDTA1H0115IP
<b>VIDEO</b>	
Standards	HDMI 1.3; HDCP 1.2
Maximum Pixel Clock	165MHz
Maximum Data Rate	6.75Gbps
Resolution	1920x1080@60Hz
Connector	HDMI-A
<b>IR</b>	
Impedance	100Ω
Interface	3.5mm earphone seat
Signal Direction	Unidirectional
Signal Type	Digital
IR Frequency	38khz
<b>ETHERNET</b>	
Interface	RJ45
Transmission Distance	CAT5e/6 - 150m
<b>OTHER</b>	
Power Supply	The power adapter: DC 5V/1A
Power Disipation	MAX 3W
Temperature	Operating: -5°C ~ + 70°C
Temperature Humidity	Operating: 5% ~ 90%
Dimension(LxWxH)	95mm x 73mm x 26mm

Disclaimer: Design & specifications are subject to change without prior notice.