



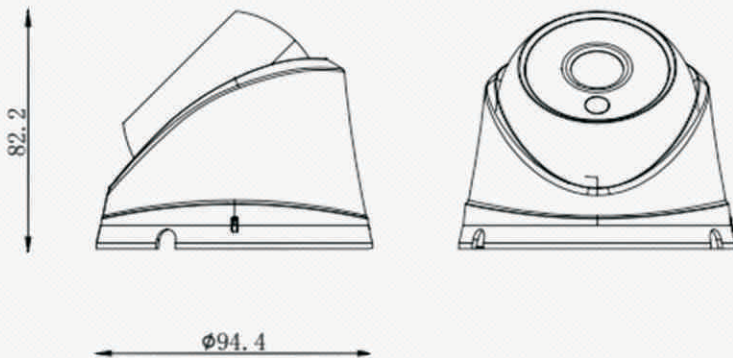
ROVER 1/2.8" COLOR IR DOME XVI  
LOW LIGHT CAMERA 2.0MP (1080P)  
3.6MM, 24IR LED (30 METERS IR RANGE,  
WHITE, 12VDC 1A, NTSC)  
**RXD913GNJS**



## FEATURES

- 2.0MP 1/2.8" low illumination CMOS sensor;
- 1080P HD Resolution, Clear Image;
- Lens: 3.6mm;
- Day/Night(Auto ICR);
- Auto electronic shutter time;
- IR range: 24 led lamps 20m-30m;
- Ingress Protection: IP67;
- 500 m transmission without delay;
- Support AHD, TVI, CVI;
- Standard coaxial control;
- Support coaxial upgrade;
- Support XVI;

## DIMENSION



## SPECIFICATIONS

MODEL	RXD913GNJS
<b>CAMERA</b>	
Sensor	2.0MP 1/2.8" low illumination CMOS sensor
Signal	AHD/TVI/CVI@1080P
Min. Illumination	Color:0.001Lux @(F1.2,AGC ON); 0 Lux with IR B/W: 0.0001 Lux @ (F1.2,AGC ON),0 Lux with IR
Shutter Time	1/60s to 1/10,000 s
Lens	HD lens 3.6mm
Lens Mount	M12
Day&Night	IR cut filter with auto switch
Max. Image Resolution	1920*1080
<b>INTERFACE</b>	
Video output	1Vp-p Composite Output(75Ω/BNC)
<b>GENERAL</b>	
Temperature	-10°C- +60°C
Humidity	10%-90% RH
Power Supply	DC12V±10%
IR Range	24 LED lamps ; 20-30 meters
Consumption	MAX 4W
Material	ABS plastic+ metal
Ingress Protection	IP67
Weight	Around 580g
Dimension	94.4mm*82.2mm

Disclaimer: Design & specifications are subject to change without prior notice.