



ROVER 1/2.8" DARK LIGHT IP BULLET
CAMERA 2.0MP, BUILT-IN MIC



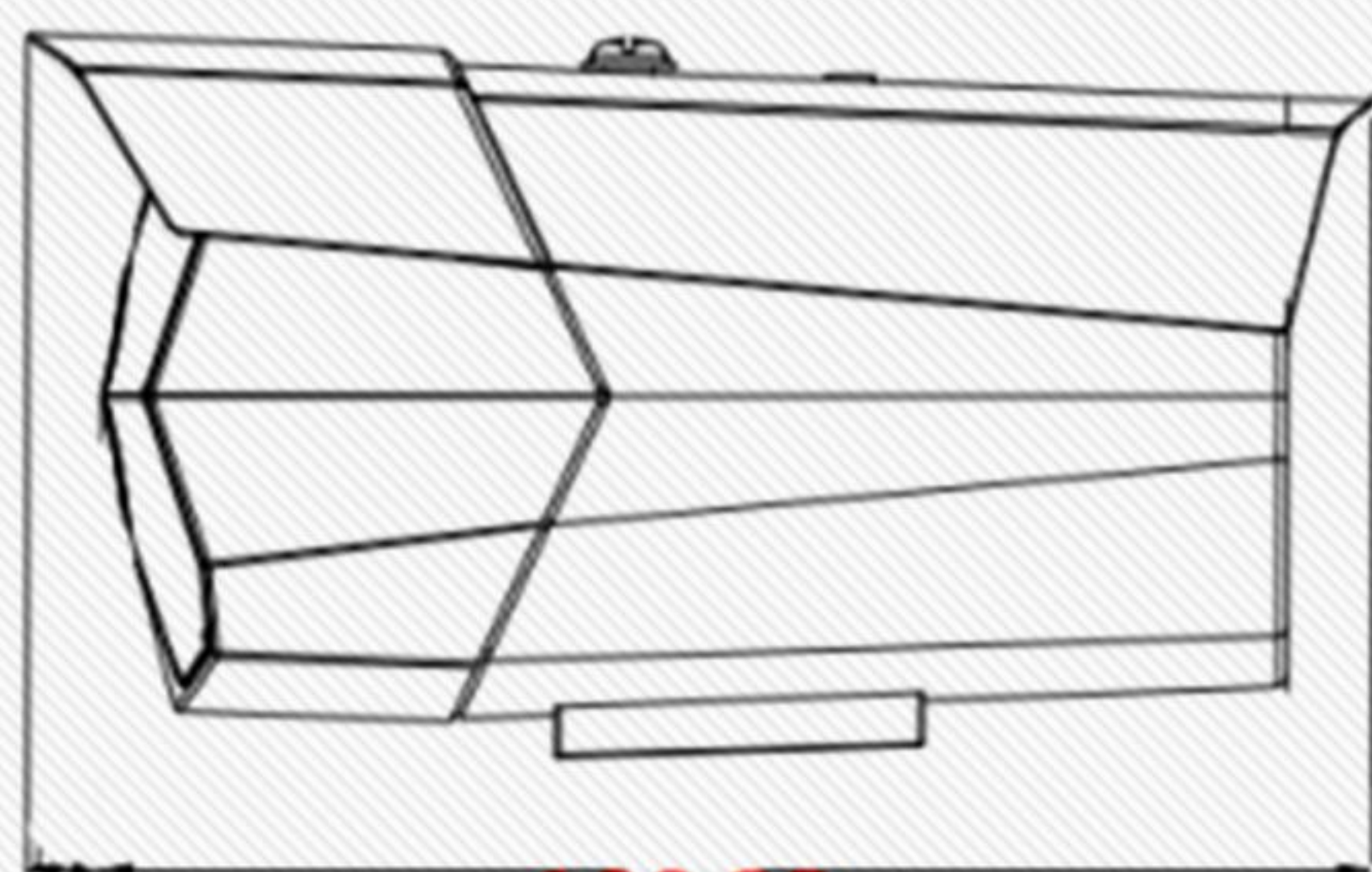
RNB519GLND



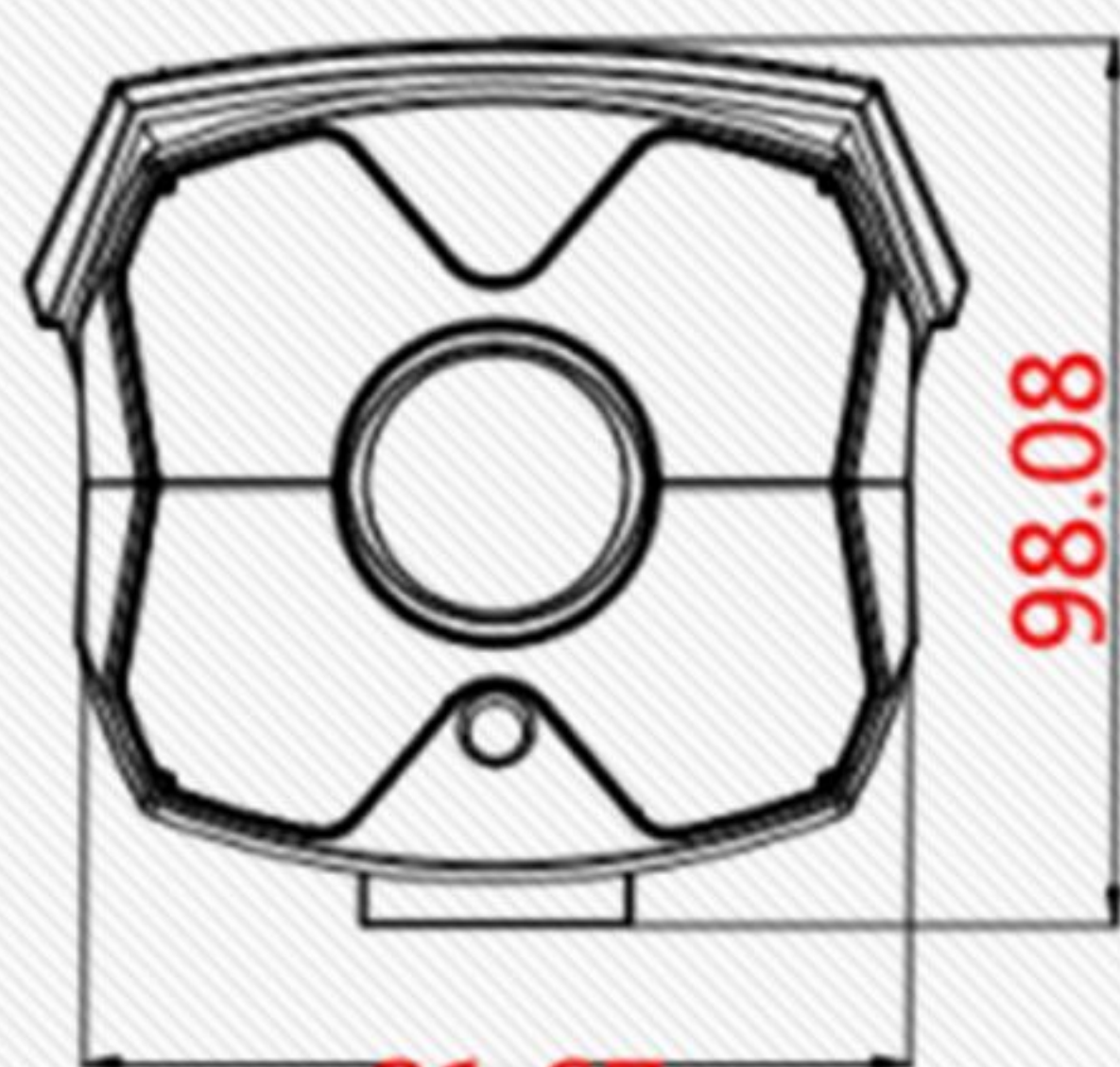
FEATURES

- Up to 2 Megapixel (1920 x 1080) resolution;
- Super Lowlight;
- Day/Night(Auto ICR);
- 4 LED Array, IR Range of 50m-60m;
- Supports DWDR, 3D DNR;
- H.265+/H.265/H.264 high profile;
- Mobile phone remote monitoring (iOS, Android);
- Multi browser access (IE, Chrome);
- Supports WEB, CMS, VMS, Cloud services;
- Supports ONVIF protocol;
- Supports POE (IEEE 802.3 af);
- Ingress Protection Level:IP67;

DIMENSION



188.22



91.67

98.08

SPECIFICATIONS

MODEL	RNB519GLND
CAMERA	
Sensor	1/2.8" Progressive Scan CMOS
Min. illumination	Color:0.0001Lux @(F1.2,AGC ON); 0.1 Lux with IR B/W: 0.0001 Lux @ (F1.2,AGC ON); 0.1 Lux with IR
Shutter Time	Auto Manual, 1/50(1/60)s to 1/10,000 s
Lens	3.6mm@F1.8
Lens Mount	M12
Day & Night Mode	IR cut filter with auto switch
IMAGE	
Maximum Image Resolution	1920 x 1080
Frame Rate	1080P@30fps
Settings	Saturation, Brightness and Contrast are Adjustable through IE Browser or Software.
COMPRESSION	
Video Compression	H.265+/H.265/H.264 High Profile
Bit Rate	0.1Mbps~10Mbps
Audio Compression	G.711a
NETWORK	
Alarm	Motion Detection, Video Loss, Video Block
Protocol	TCP/IP, HTTP, DHCP, DNS, DDNS, PPPoE, SMTP, NTP,
Features	Anti-flicker, Dual-stream, Password Protection
INTERFACE	
Ethernet Port	1*10/100Mbps Ethernet port, RJ45 port
Audio I/O	1/0
GENERAL	
Temperature	-10°C- +60°C
Humidity	10%-90% RH
Power Supply	DC12V±10%, PoE (IEEE 802.3 af)
IR Range	4 LED Array: 50-60 meters
Power Consumption	10W MAX
Material	Metal
Ingress Protection	IP67
Weight	Around 570g
Dimension	188.22mm x 91.67mm x 98.08mm

Disclaimer: Design & specifications subject to change without prior notice.