



42U\*600\*1100 FLOOR STANDING  
DATA RACK CABINET

## ECF061142

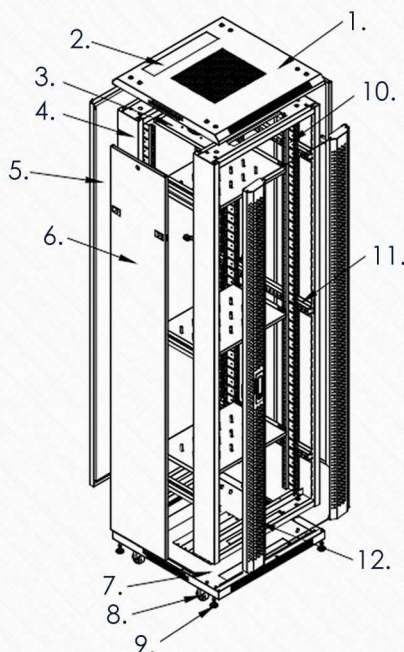


### FEATURES

- Glass door with Arc Shaped Vented Border With JC04 Black Handle lock and two blue decoration strips;
- 1 pc Perforated Rear door Dual Open With One Black Handle lock;
- 2 pcs side panel with Small round lock;
- 4 fans with US type plug on the top (the voltage of fans' plug is 300V);
- 4 pcs mounting profiles;
- 1 pc 12 ways 1U 16A universal type sockets with overloading protector;
- Power Switch, Multi-functional Anti-light Anti-surge device,
- US type plug;
- 1 pc Horizontal Cable Manager;
- 1 pc Vertical Cable Organizer;
- 4 pcs Castors with Braked;
- 4 pcs Adjustable feets,
- 25 sets Cage nut;

### MAIN STRUCTURE

1. Top Cover
2. Cable entry
3. Fan tray
4. Frames
5. Back door
6. Side panel
7. Bottom
8. Castors
9. Feet
10. Mounting profiles
11. Mounting angles
12. Front Door



### SPECIFICATIONS

| MODEL                | ECF061142  |
|----------------------|--|
| Material             | SPCC quality cold rolled steel<br>Thickness: mounting profile 2.0mm,<br>Mounting angle: 1.5mm, others: 1.2mm |
| Loading Capacity     | Static Loading: 800k(on the adjustable feet)   |
| Degree of Protection | IP20   |
| Surface Finish       | Decreasing, Pickling, Phosphating, Powder Coated   |
| Height               | 42U  |
| Width                | 600mm  |
| Depth                | 1100mm   |
| Color                | RAL9004 Black  |

Disclaimer: Design & specifications are subject to change without prior notice.