



ROVER 1/2.9" BULLET IP CAMERA
3.0MP, AUDIO IN: 1CH

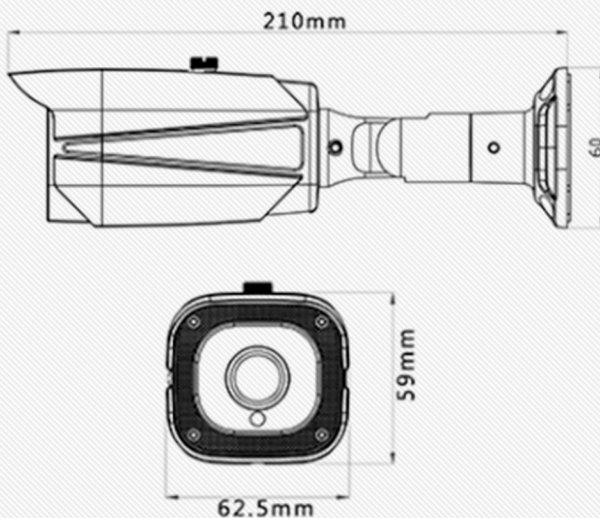
RNB713GLI



FEATURES

- Up to 3 Megapixel (2048 x 1536) resolution;
- Day/Night(Auto ICR);
- Supports DWDR, 3D DNR;
- H.265+ / H.265 / H.264/H.264+ high profile;
- Mobile phone remote monitoring (iOS, Android);
- Multi browser access (IE, Chrome);
- Supports WEB, CMS, VMS, Cloud services;
- Supports ONVIF protocol;
- Supports PoE (IEEE 802.3af);
- Ingress Protection Level: IP67;

DIMENSION



SPECIFICATIONS

MODEL	RNB713GLI
CAMERA	
Sensor	1/2.9", Progressive Scan CMOS
Min. illumination	Color:0.01Lux @(F1.2,AGC ON); 0 Lux with IR B/W: 0.001 Lux @ (F1.2,AGC ON),0 Lux with IR
Shutter Time	Auto/Manual, 1/60s to 1/10,000 s
Lens	3.6mm@F1.8
Lens Mount	M12
Day&night	IR cut filter with auto switch
IMAGE	
Maximum Image	2048*1536
Frame Rate	3M@15fps 1080P@30fps
Settings	Saturation, Brightness and Contrast are Adjustable through IE Browser or Software.
COMPRESSION	
Video Compression	H.265/H.265+/H.264/H.264+ HighProfile
Bit Rate	0.1Mbps~8Mbps
Audio Compression	G.711a
NETWORK	
Alarm	Motion Detection, Video Loss, Video Block
Protocol	TCP/IP, HTTP, DHCP, DNS, DDNS, PPPoE, SMTP, NTP, (HTTPS, SIP, 802.1x, IPv6 option)
Features	Anti-flicker, Dual-stream, Password Protection
INTERFACE	
Ethernet Port	1*RJ45 10/100Mbps
Audio I/O	1/0
GENERAL	
Temperature	-10°C- +60°C
Humidity	10%-90% RH
Power Supply	DC12V±10%, PoE (IEEE 802.3af)
IR Range	25 IR LED lamps :20-30 meters
Power Consumption	3W max.
Ingress Protection	IP67
Weight	Around 430g
Dimension	59mm x 62.5mm x 210mm

Disclaimer: Design & specifications subject to change without prior notice.