



ROVER 1/2.9" IP BULLET CAMERA,
3.0MP, VARIFOCAL: MANUAL FOCUS
AUDIO IN: 1CH



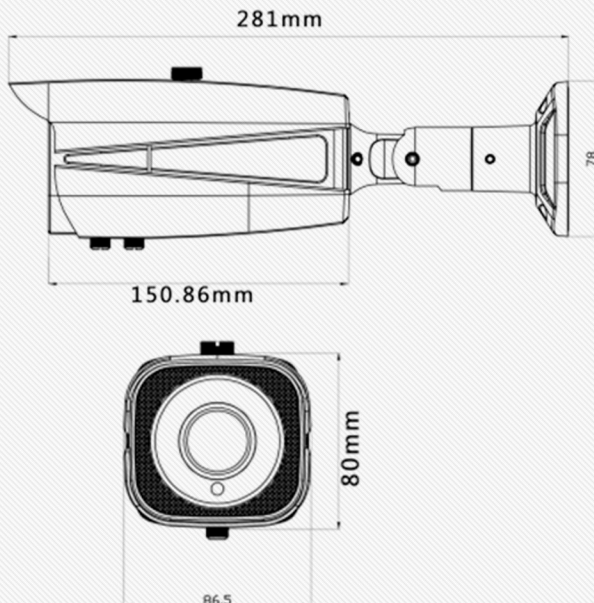
RNB744GLT



FEATURES

- Up to 3 Megapixel (2048x1536) resolution;
- Day/Night(Auto ICR);
- Supports DWDR, 3D DNR;
- H.265/ H.265+/ H.264/ H.264+ high profile;
- Mobile phone remote monitoring (iOS, Android);
- Multi browser access (IE, Chrome);
- Supports WEB, CMS, VMS, Cloud services;
- Supports ONVIF protocol;
- Supports PoE (IEEE 802.3af);
- Ingress Protection Level: IP66;

DIMENSION



SPECIFICATIONS

MODEL	RNB744GLT
CAMERA	
Sensor	1/2.9" Progressive Scan CMOS
Min. illumination	Color:0.01Lux @(F1.2,AGC ON); 0 Lux with IR B/W: 0.001 Lux @ (F1.2,AGC ON),0 Lux with IR
Shutter Time	Auto/Manual, 1/60s to 1/10,000 s
Lens	2.8mm-12mm manual focus
Lens Mount	M14
Day&Night Mode	IR cut filter with auto switch
IMAGE	
Maximum Image	2048 x 1536
Frame Rate	3M@15fps 1080P@30fps
Setting	Saturation, Brightness and Contrast are Adjustable through IE browser or Software.
COMPRESSION	
Video Compression	H.265/H.265+/H.264/H.264+ HighProfile
Bit Rate	0.1Mbps~8Mbps
Audio Compression	G.711a
NETWORK	
Alarm	Motion Detection, Video Loss, Video Block
Protocol	TCP/IP, HTTP, DHCP, DNS, DDNS, PPPoE, SMTP, NTP,
Features	Anti-flicker, Dual-stream, Password Protection
INTERFACE	
Ethernet Port	1xRJ45; 10/100Mbps
Audio I/O	1/O (RCA)
GENERAL	
Temperature	-10°C- +60°C
Humidity	10%-90% RH
Power Supply	DC12V±10%, PoE (IEEE 802.3af)
IR Range	42 IR LED:30-40 meters
Power Consumption	5W max.
Material	Metal
Ingress Protection	IP66
Weight	Around 650g
Dimension	281mm x 87mm x 80mm

Disclaimer: Design & specifications are subject to change without prior notice.