



The EDTA1H0112IP/EDTA1H0115IP provides extension of HDMI signals long distances over a single CAT5e/6 cable, it supports high resolution up to 1920*1080@60Hz and IR signal transmission. The extender is used for a wide range of applications requiring long distance transmission of high resolution with high quality by its good stability and powerful security.

GENERAL DESCRIPTION

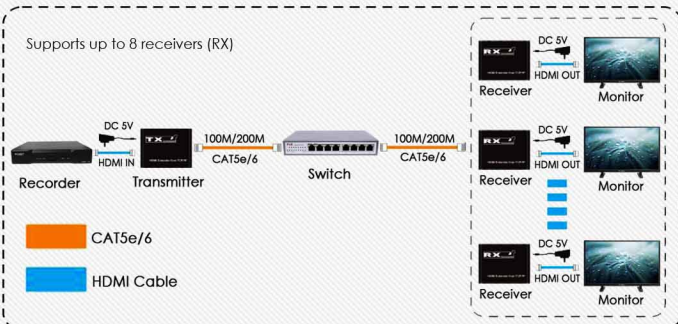
- Transmits HDMI video and audio signals up to 150m (EDTA1H0115IP)/ 250m (EDTA1H0112IP) over a single CAT5e/6 cable;
- Supports video resolution up to 1920 x 1080@60Hz;
- Supports IR signal transmission;
- Supports over TCP/IP, one to many application with Ethernet switch;
- Compliance with HDMI 1.3 and HDCP 1.2 standard;
- High compatibility, can auto-match source and display device;
- Built-in automatic adjustment systems, make the image smooth, clear and stable;
- Built-in ESD protection system;
- Simple to install. plug and play;

CONNECTION DIAGRAM

One to One Application



One to Many Application



ENDURA HDMI EXTENDER (1 HDMI INPUT & OUTPUT, SUPPORT 1080P @60HZ, 150M/250M WITH CAT5E/6 CABLE, 5V DC)

EDTA1H0112IP
EDTA1H0112RX (RECEIVER ONLY)
EDTA1H0112TX (TRANSMITTER ONLY)
EDTA1H0115IP
EDTA1H0115RX (RECEIVER ONLY)
EDTA1H0115TX (TRANSMITTER ONLY)



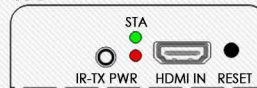
SPECIFICATIONS

MODEL	EDTA1H0115IP	EDTA1H0112IP
VIDEO		
Standards	HDMI 1.3; HDCP 1.2	
Maximum Pixel Clock	165MHz	
Maximum Data Rate	6.75Gbps	
Resolution	1920x1080@60Hz	
Connector	HDMI-A	
IR		
Impedance	100Ω	
Interface	3.5mm seat	
Signal Direction	Unidirectional	
Signal Type	Digital	
IR Frequency	38khz	
ETHERNET		
Interface	RJ45	
Transmission Distance	CAT5e/6 - 150m	CAT5e/6 - 250m
OTHER		
Power Supply	DC 5V/1A	
Power Disipation	MAX 3W	
Temperature	Operating: -5°C ~ + 70°C	
Temperature Humidity	Operating: 5% ~ 90%	
Dimensions(WxDxH)	95mm x 73mm x 26mm	

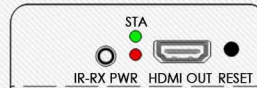
Disclaimer: Design & specifications are subject to change without prior notice.

PORT INTERFACES AND INDICATORS

TX



RX



Port Name	Description
HDMI IN/OUT	HDMI signal input/output
Cat5e/6	RJ45 port connect cat5e/cat6
IR TX/RX	IR signal input/output
DC/5V	Power adapter socket
LED Indicator	
PWR	Unit power indicator
STA	HDMI signal indicator