



MEDIA CONVERTER 100/1000M SC DUAL FIBER MULTIMODE 500M

MC0101GSDM



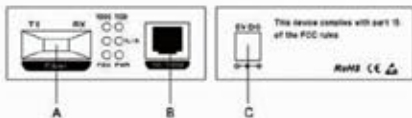
SPECIFICATIONS

MODEL	MC0101GSDM
Interface	1x copper cable RJ45 port + 1x fiber SC port
Transmission Distance	2 km
Fiber Description	Multimode dual fiber, SC port
Fiber Bandwidth	1.25G
Wavelength	850nm
Network Bandwidth	1000Mbps
Ethernet Specifications	Bandwidth: 1.6Gbps (non-blocking) Network Latency (100 to 100Mbps): the maximum delay less than 20 microseconds Packet Buffer Memory: 96KB Address Database Size: 1,000 MTBF: 100,000 hours
Protocol	IEEE 802.3i 10BASET IEEE 802.3u 100BASETX IEEE 802.3x Flow Control IEEE 802.3af DTE power via MDI
LED Indicator	Power, Connecting, working status
Power Supply	5VDC
Power Consumption	3.5W
Dimensions (WxHxD)	71 mm x 26 mm x 94 mm
Weight	0.65kg
Working Environment	Working Temperature: 20°~55°C Storage Temperature: 20°~75°C Working Humidity: 10%~90%, non-condensing Storage Humidity: 10%~95%, non-condensing Operational Altitude: 3000m (10,000ft) Storage Altitude: 3000m (10,000ft)
Radiation	CE mark, commercial FCC Part 15 Class B VCCI Class B EN 55022 (CISPR 22), Class B
Safety	CE mark, commercial CE/LVD EN60950

FEATURES

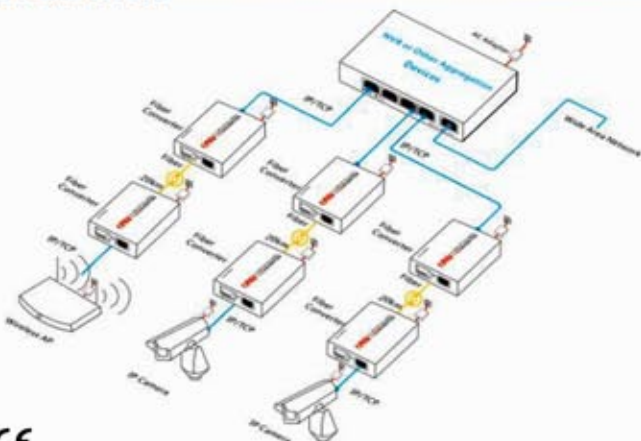
- 100/1000M multimode dual fiber media converter;
- Broadcasting filtration function, automatic recognizing and modifying address with store-and-transmission operational mechanism;
- Ethernet 10base-T/100base-TX/100base-FX fiber media transmission;
- Compatible with IEEE802.3, IEEE802.3U, IEEE802.3X, IEEE802.3z/AB, IEEE802.1d standard;
- The electrical interface port supports 1000Mbps, 100Mbps, 10Mbps, both ends can use different speed (full-duplex work);
- 1x RJ45 port and 1x fiber SC port;

DIMENSION



A.155M Uplink Port B. 100/1000M RJ45 Port C. Power Input Port-DC5V

APPLICATION



Disclaimer: Design & specifications are subject to change without prior notice.