

ROVER 1/2.8" IP BULLET CAMERA,  
2.0MP, AUDIO IN: 1CH

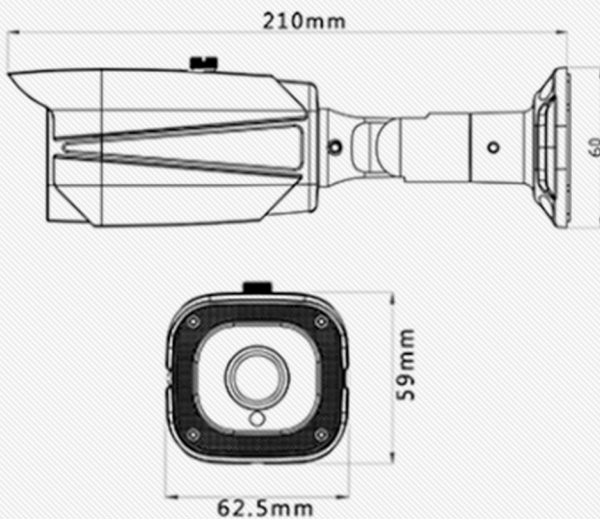
# RNB513GLI



## FEATURES

- Up to 2 Megapixel (1920 x 1080) resolution;
- Day/Night(Auto ICR);
- 25 IR LED, IR Range of 20m-30m;
- Supports DWDR, 3D DNR;
- H.265+/H.265/H.264 high profile;
- Mobile phone remote monitoring (iOS, Android);
- Multi browser access (IE, Chrome);
- Supports WEB, CMS, VMS, Cloud services;
- Supports ONVIF protocol;
- Supports PoE (IEEE 802.3af);
- Ingress Protection Level: IP67;

## DIMENSION



## SPECIFICATIONS

<b>MODEL</b>	RNB513GLI
<b>CAMERA</b>	
Sensor	1/2.8" Progressive Scan CMOS
Min. illumination	Color:0.01Lux @(F1.2,AGC ON); 0 Lux with IR B/W: 0.001 Lux @ (F1.2,AGC ON),0 Lux with IR
Shutter Time	Auto/Manual, 1/50(1/60)s to 1/10,000 s
Lens	2.8mm
Lens Mount	M12
Day & Night Mode	IR cut filter with auto switch
<b>IMAGE</b>	
Maximum Image Resolution	1920 x1080
Frame Rate	1080P@30fps, 720P@30fps, D1@30fps
Settings	Saturation, Brightness and Contrast are Adjustable through IE Browser or Software.
<b>COMPRESSION</b>	
Video Compression	H.265+/H.265/H.264 HighProfile
Bit Rate	0.1Mbps~8Mbps
Audio Compression	G.711a
<b>NETWORK</b>	
Alarm	Motion Detection, Video Loss, Video Block
Protocol	TCP/IP, HTTP, DHCP, DNS, DDNS, PPPoE, SMTP, NTP
Features	Anti-flicker, Dual-stream, Password Protection
<b>INTERFACE</b>	
Ethernet Port	1*10/100Mbps Ethernet port, RJ45 port
Audio I/O	1/0(RCA)
<b>GENERAL</b>	
Temperature	-10°C - +60°C
Humidity	10%-90% RH
Power Supply	DC12V±10%, PoE (IEEE 802.3af)
IR Range	25 IR LED, 20-30 meters
Power Consumption	5W MAX
Material	Metal
Ingress Protection	IP67
Weight	Around 430g
Dimension	59mm x 62.5mm x 210mm

Disclaimer: Design & specifications subject to change without prior notice.