



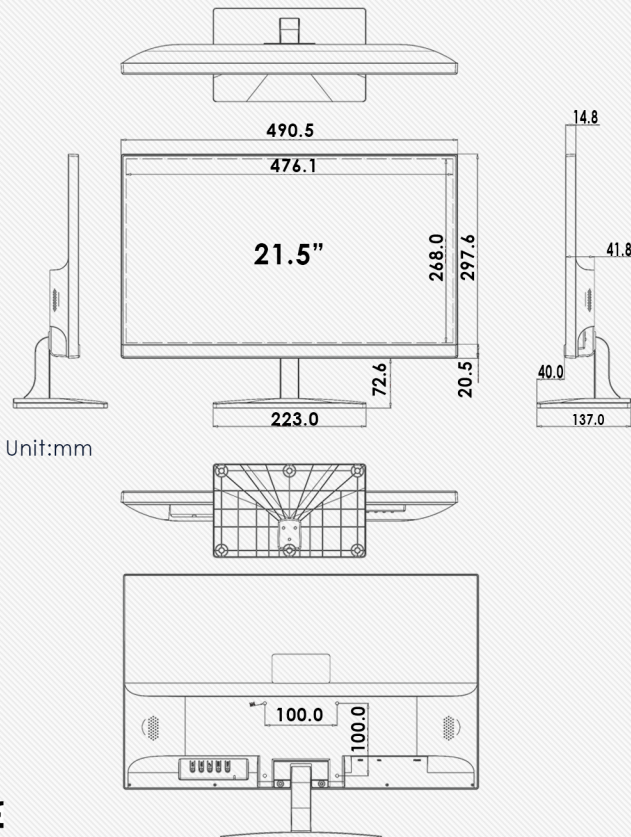
ROVER 22" COMMERCIAL LCD CCTV
MONITOR, 250 CD/M², VGA, HDMI,
FRAMELESS PLASTIC CASE
ROD22A33F



FEATURES

- Industrial level DID LCD panel, suitable for 24x7 continuous use;
- Resolution: 1920x1080;
- 5ms fast response time, no image ghosting;
- Adapt newest 3D digital filtering and 3D digital noise reduction technology;
- Picture fast response; 170° wide viewing angle; Ensures that the image display is not deformed;
- High fidelity digital processing, brilliant and vivid video;
- Built-in Speaker;
- Easy to use Menu;

DIMENSIONS



SPECIFICATIONS

MODEL	ROD22A33F
MONITOR	
Screen Size	22"
Active Display Area (mm)	476.64mm(W)×268.11mm(H)
Display Mode	16:9
LED Type	TFT-LED
Resolution	1920x1080
Display Color	16.7M
Pixel Pitch (mm)	0.248(H)×0.248(V)
Brightness (nits)	250cd/m ²
Contrast Ratio	1000:1
Viewing Angle	170(H)/170(V)
Response Time	5ms
Backlight	LED
INPUT & OUTPUT	
HDMI 2.0	1
VGA	1
Speaker	2X3W(Stereo)
VIDEO	
Color System	PAL/NTSC/SECAM
OSD	Auto Adjust, Brightness, Contrast, Horizontal /Vertical Position, Clock, Phase, Color, Language
3D Comb Filter	Supported
Video Noise Reduction	Supported
POWER & MOUNTING	
Power Supply	DC12V, 50/60Hz
Working Temperature	-30 °C to +85 °C
Power Consumption	≤ 25W
Menu	Chinese/English (other languages supported)
Mounting	Stand mount, VESA mount
Weight	3.5kg
MTBF	50,000 Hours
Certificate Approval	CE, RoHS, FCC, ISO9000, UL

Disclaimer: Design & specifications subject to change without prior notice.