



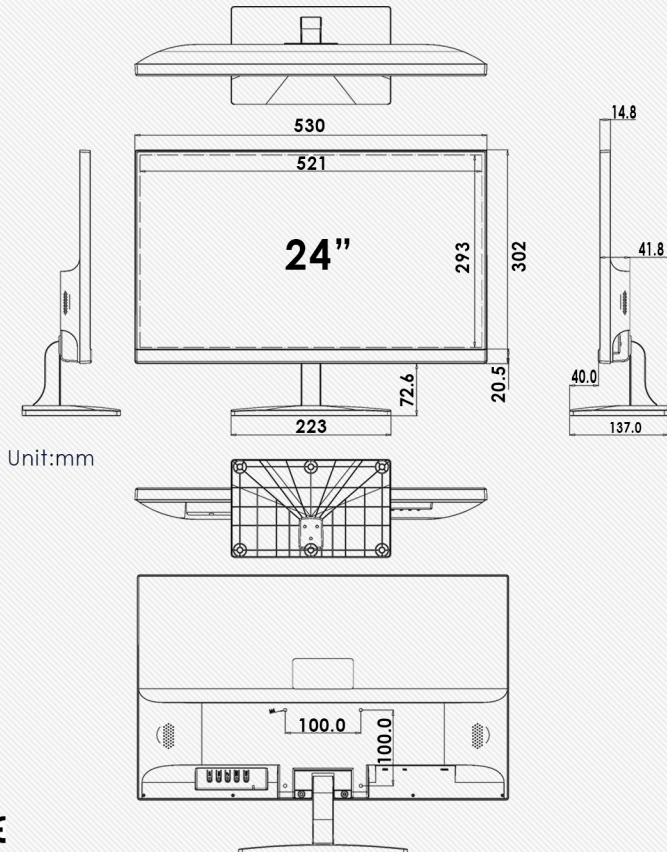
ROVER 23.6" COMMERCIAL LCD CCTV
MONITOR, 350 CD/M², VGA,
HDMI, FRAMELESS PLASTIC CASE
ROD24A33F



FEATURES

- Industrial level DID LCD panel, suitable for 24x7 continuous use;
- Resolution: 1920x1080;
- 5ms fast response time, no image ghosting;
- Adapt newest 3D digital filtering and 3D digital noise reduction technology;
- Picture fast response; 178° wide viewing angle; Ensures that the image display is not deformed;
- High fidelity digital processing, brilliant and vivid video;
- Built-in Speaker;
- Easy to use Menu;

DIMENSIONS



SPECIFICATIONS

MODEL	ROD24A33F
MONITOR	
Screen Size	24"
Active Display Area (mm)	521.28mm(W) × 293.22mm(H)
Display Mode	16:10
LED Type	TFT-LED
Resolution	1920x1080
Display Color	16.7M
Pixel Pitch (mm)	0.248(H) × 0.248(V)
Brightness (nits)	350cd/m ²
Contrast Ratio	1000:1
Viewing Angle	178(H)/178(V)
Response Time	5ms
Backlight	LED
INPUT & OUTPUT	
HDMI (HDCP)	1
HDMI (HDCP)	1
Speaker	2X3W(Stereo)
VIDEO	
Color System	PAL/NTSC/SECAM
OSD Control	Auto Adjust, Brightness, Contrast, Horizontal /Vertical Position, Clock, Phase, Color, Language
3D Comb Filter	Supported
Video Noise Reduction	Supported
POWER & MOUNTING WAY	
Power Supply	DC12V, 50/60Hz
Working Temperature	-30 °C to +85 °C
Power Consumption	25W
Menu	Chinese/English (other languages supported)
Mounting	Stand mount, VESA mount
Weight	3.5kg
MTBF	50,000 Hours
Certificate Approval	CE, RoHS, FCC, ISO9000, UL

Disclaimer: Design & specifications subject to change without prior notice.