



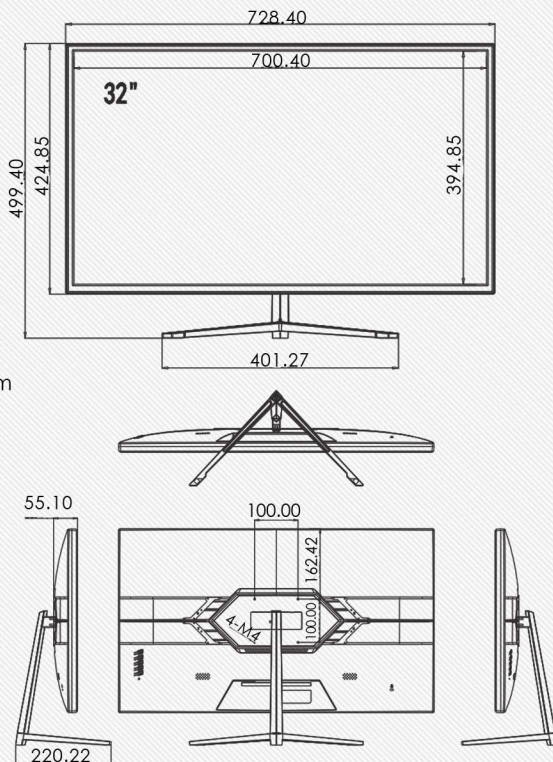
ROVER 32" COMMERCIAL LED CCTV
MONITOR 4K, 350 CD/M², HDMI,
DP, PLASTIC CASE
ROD324F



FEATURES

- 4K HD Resolution;
- Industrial-grade LED screen, designed for CCTV application;
- High brightness, high contrast, high definition;
- Adapts newest 3D digital filtering and 3D digital noise reduction technology;
- Picture fast response; 178° wide viewing angle; image display is not deformed;
- 24x7 operation;
- Metal chassis design, anti-static, anti-magnetic field, anti-interference, no radiation;

DIMENSIONS



Unit: mm

SPECIFICATIONS

MODEL	ROD324F
MONITOR	
Screen Size	32"
Active Display Area (mm)	697.6845mm(W)×392.256mm(H)
Display Mode	16:9
LED Type	TFT-LED
Resolution	3840 × 2160
Display Color	1.073G
Pixel Pitch (mm)	0.294(H)×0.294(V)
Brightness (nits)	350cd/m ²
Contrast Ratio	1000:1
Viewing Angle	178(H) /178(V)
Response Time	5ms
Backlight	LED
INPUT & OUTPUT	
HDMI 2.0	3
DP	1
Power input	1
USB (software using only)	1
Speaker	2X3W(Stereo)
VIDEO	
Color System	NTSC
OSD	Auto Adjust, Brightness, Contrast, Horizontal /Vertical Position, Clock, Phase, Color, Language
3D Comb Filter	Supported
Video Noise Reduction	Supported
POWER & MOUNTING	
Power Supply	12V, 5A
Working Temperature	-30 °C to +85 °C
Power Consumption	<35W
Mounting	Stand Mount, VESA Mount
MTBF	50,000 Hours

Disclaimer: Design & specifications subject to change without prior notice.