



ROVER 5.0MP(2560\*1920) 1/2.7" DUAL LIGHT BULLET XVI CAMERA, 2.8MM, 1 LED ARRAY, 1 LED SPOTLIGHT (30 METERS IR RANGE, WHITE, 12VDC, NTSC)

# RXBC13GLKD RXBC13GLKD2 RXBC13GLKD3



## FEATURES

- Intelligent Switching, Supports white light and infrared for the dual light feature
- 5.0MP 1/2.7" low illumination CMOS sensor
- HD lens 2.8mm
- Day/Night(Auto ICR)
- Auto electronic shutter
- IR range: 1 array lamp, 1 white light, 20m-30m
- Ingress Protection: IP66
- 500 m transmission without delay
- Supports XVI/AHD, TVI, CVI, CVBS
- Standard coaxial control
- Supports coaxial upgrade
- Supports XVI

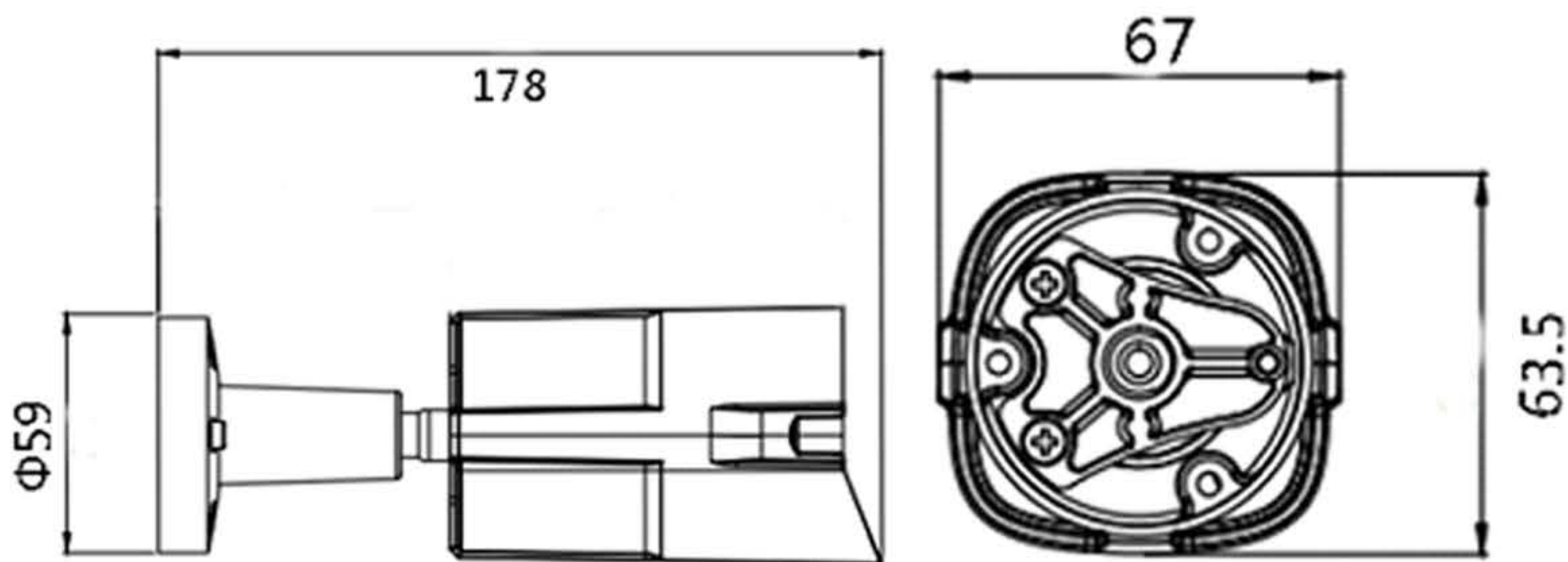


## SPECIFICATIONS

MODEL	RXBC13GLKD	RXBC13GLKD2	RXBC13GLKD3
<b>CAMERA</b>			
Camera Sensor	5.0MP 1/2.7" low illumination CMOS sensor		
Signal	XVI@5MP; AHD/TVI/CVI@4MP; CVBS		
Minimum Illumination	Color: 0.01Lux @(F1.2,AGC ON); 0 Lux with IR B/W: 0.001 Lux @(F1.2,AGC ON), 0 Lux with IR		
Shutter Time	1/50(1/60)s to 1/10,000 s		
Lens Size	HD lens 2.8mm @F1.8		
Lens Mount	M12		
Day & Night	IR cut filter with auto switch		
IR Range	1 array lamp, 1 white light "IR2":20-30 meters		
Maximum Image Resolution	2560*1920		
<b>INTERFACE</b>			
Video Output	1Vp-p Composite Output(75Ω/BNC)		
<b>GENERAL</b>			
Operating Temperature	-10°C+60°C		
Humidity	10%-90% RH		
Power Supply	DC12V±10%		
Power Consumption	MAX 3W		
Material	Metal		
Ingress Protection	IP66		
Weight	Around 300g		
Dimensions	178mm*67mm*63.5mm		

Disclaimer: Design & specifications are subject to change without prior notice.

## DIMENSIONS



## WHITE LIGHT



White Light turns on when Human Body is detected on the DVR.

